



Control Box CBJ1 / CBJ2 Data sheet

CBJ1 / CBJ2

The control boxes CBJ1 and CBJ2 are part of the battery driven JUMBO system. JUMBO is a modular system combining an actuator, a control box (CBJ1, CBJ2), a battery (BAJ1) and a charger (CHJ2) in a flexible solution, specially developed for patient lifts.

The complete system is medically approved and contains a series of features which meet the patients need for a safe and comfortable lift, e.g. CBJ1 and CBJ2 are equipped with a soft-start/stop function, emergency lowering function etc.

CBJ1 and CBJ2 are available in a special edition that can be used in the harsh conditions in the pool environment both outdoor and indoor.



Features and Options:

- Output voltage: 24 V DC
- Soft start/stop on channel 1
- Emergency operation for lifting/lowering (CBJ1), Emergency function down (CBJ2)
- Acoustic battery alarm at approx. 50% battery capacity
- Bayonet lock for locking the handset plug (The DIN-plug)
- Protection class: IPX5
- Colours: Dark grey (RAL 7016) or light grey (RAL 7035) bottom and light grey top (RAL 7035)
- Electronic overload protection (EOP)
- 2 speed operation of the actuator on channel 1 (CBJ1)
- Matching handset for:
CBJ1: HB30, HB51J, HB52J, HB53J, HB70 and HB80
CBJ2: HB30, HB51B, HB52B, HB70 and HB80
- Emergency stop button
- LCD-display showing the actual battery capacity and indicating when the battery needs recharging
- Socket for external battery pack. This socket for external battery pack enables furthermore charging of the JUMBO battery pack BAJ1 with CH01 through the control box.
- Internal charger possible
- Possible to mount an Emergency Stop Guard

- Customised front covers
- Variable current cut-off

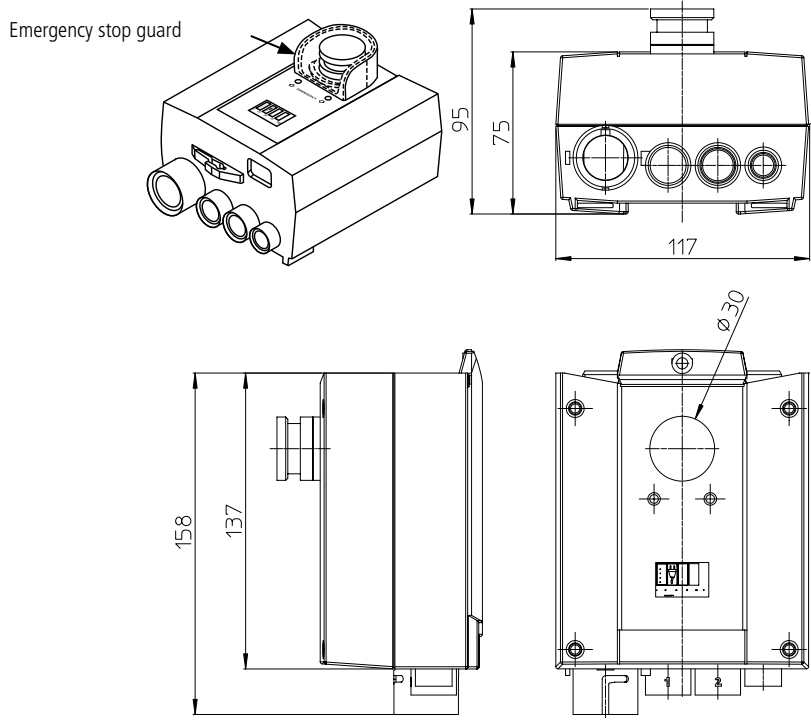
Pool Lift version Features and Options - differs from CBJ1, CBJ2

- Improved contact terminals
- Rubber seal around contact terminals
- Stainless steel screws
- Robot injected sealing glue
- Internal charger not possible
- Always external charger CHJ2
- No display option
- No emergency stop
- Always IPX5

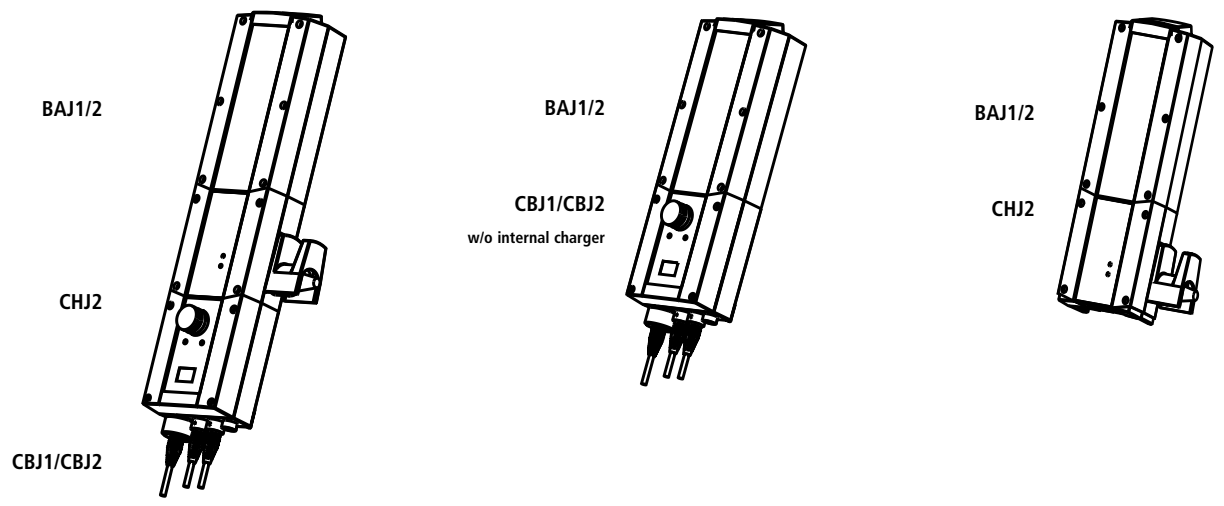
Usage:

- Duty cycle: Max. 10% or 2 min. continuous use then 18 min. without use
- Ambient temperature: +5° to +40°C
- For one or two actuators (lift and leg spreader actuator)
- Approvals: IEC60601-1:2005 3rd edition, ANSI / AAMI ES60601-1:2005 3rd edition, CAN / CSA-22.2 No 60601-1:2008

Dimensions:



Combination examples:



CBJ1/CBJ2

Ordering example:

CBJ1 00 1N A 0 0 1 04 1

IP-rating:

1 = IPX5
4 = IPX4

Front cover:

See the front cover table for details - xx (last 2 digits) 01-99

Type	Charger	Display	Emergency stop	Front cover no.	Front cover
CBJ1	A, B, E, F	0	0	04	00J1CB004
	A, B, E, F	0	1,3	02	00J1CB002
	A, B, E, F	1	0	03	00J1CB003
	A, B, E, F	1	1,3	01	00J1CB001
	C, D, G, H	0	0	None	-
	C, D, G, H	0	1,3	09	00J1CB009
	C, D, G, H	1	0	None	-
	C, D, G, H	1	1,3	08	00J1CB008
CBJ2	A, B, E, F	0	0	09	00J2CB009
	A, B, E, F	0	1,3	02	00J2CB002
	A, B, E, F	1	0	17	00J2CB017
	A, B, E, F	1	1,3	03	00J2CB003
	C, D, G, H	0	0	08	00J2CB008
	C, D, G, H	0	1,3	04	00J2CB004
	C, D, G, H	1	0	54	00J2CB054
	C, D, G, H	1	1,3	01	00J2CB001
C, D, G, H	1	1,3	51	00J2CB051*	

*Light Grey

Bottom plastic:

1 = RAL7016, dark grey (Standard)
2 = RAL7035, light grey

Emergency stop:

0 = without emergency stop
1 = with emergency stop
3 = with emergency stop and guard

LCD display:

0 = without LCD display
1 = with LCD display

Option:

A = LINAK battery BAJ1 and BAJ2
B = External batteries via CBJ1 plug
C = LINAK batteries BAJ1 and with internal charger. (Max. IPX4)
D = External batteries and with internal charger (Max. IPX4)
E = LINAK battery BAJ1 and BAJ2 and variable current cut-off CH1
F = External batteries via CBJ1 plug and variable current cut-off CH1
G = LINAK batteries BAJ1, int. charger and variable current cut-off CH1 (Max. IPX4)
H = External batteries, int. charger and variable current cut-off to CH1 (Max. IPX4)

Version:

(see the combinations table on next page)

1N
1H
2N
2H
3H Only for CBJ2
4H
5N
5H
6H Only for CBJ2
7H Only for CBJ2
8H Only for CBJ2

Not used:

Type:

CBJ1 or CBJ2

* Pool lift version should be ordered as special article.

Please contact LINAK A/S sales for further information if you need this CBJ1 or CBJ2 solution.

Internal battery charger:

The internal charger is a Switch Mode Power Supply (SMPS) version which makes charging of the batteries more efficient.

The charging time for a BAJ1 battery pack is approx. 4 - 5 hours.

Mains voltage from 100 - 240 V AC (50 / 60 Hz) is possible on same charger.

The charger indicates whether the charger is connected to mains (green LED) or whether the battery is being charged (yellow LED).

Medically approved.



When connected to mains (AC)



When connected to mains (AC)



Recommendations:

- The mains cable must always be ordered separately when ordering a CBJ1, CBJ2 with an internal charger.
- Use only original LINAK mains cables to ensure proper connection to internal charger.

Standard front covers for version without internal charger.

CBJ1



00J1CB001



00J1CB002



00J1CB003



00J1CB004*

CBJ2



00J2CB002



00J2CB003



00J2CB009*



00J2CB017

*Standard front covers for pool lift

Standard front covers for version with internal charger.

CBJ1



00J1CB008



00J1CB009

Standard front covers for version with internal charger.

CBJ2



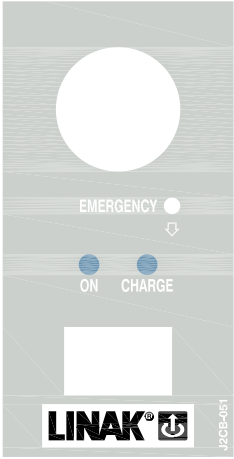
00J2CB001



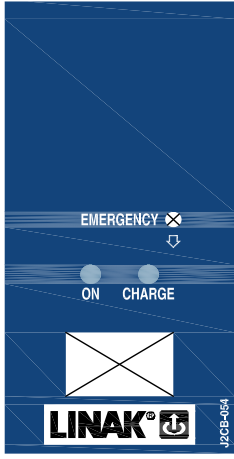
00J2CB004



00J2CB008

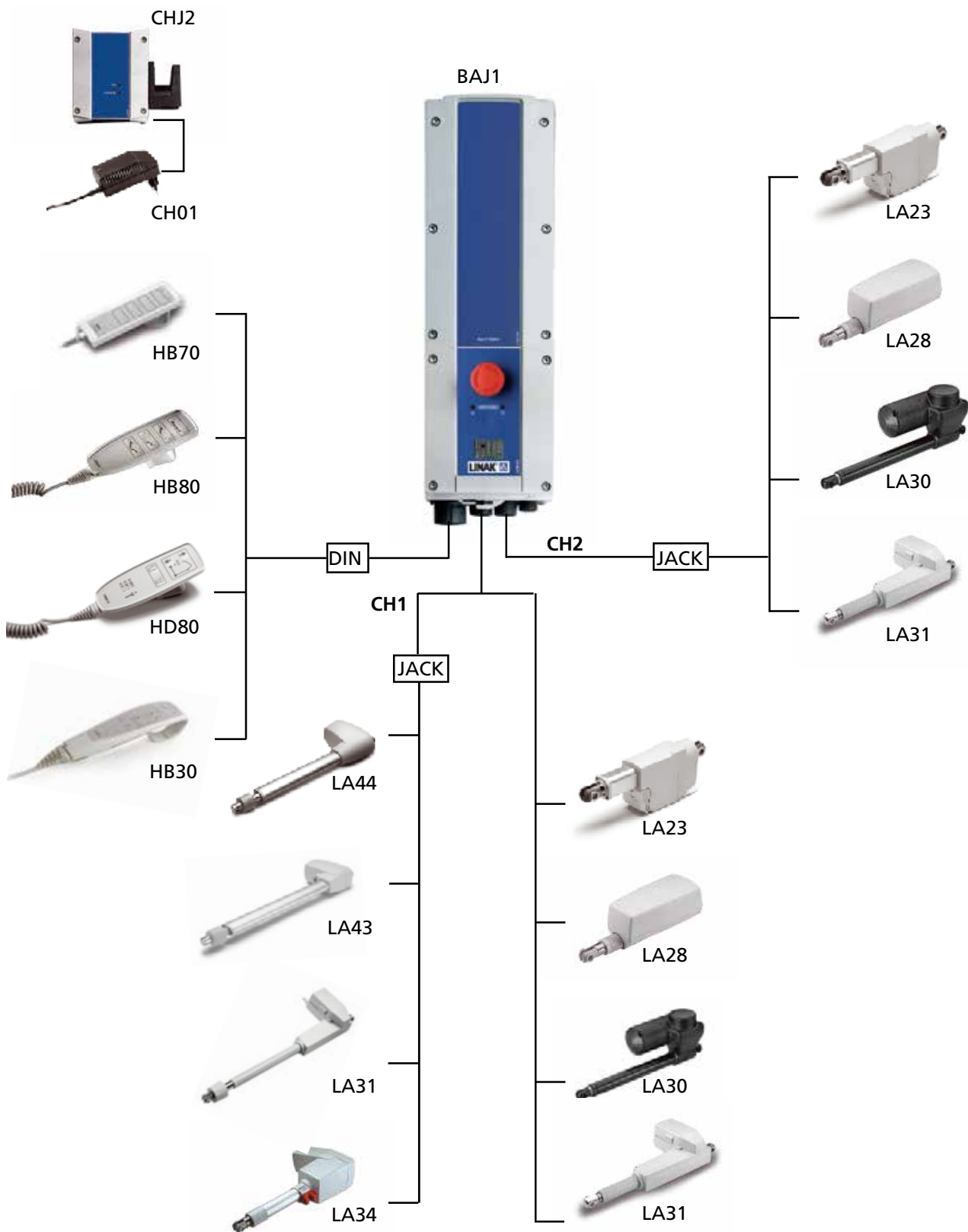


00J2CB051



00J2CB054

JUMBO combinations



Terms of use

The user is responsible for determining the suitability of LINAK products for specific application. LINAK takes great care in providing accurate and up-to-date information on its products. However, due to continuous development in order to improve its products, LINAK products are subject to frequent modifications and changes without prior notice. Therefore, LINAK cannot guarantee the correct and actual status of said information on its products. While LINAK uses its best efforts to fulfill orders, LINAK cannot, for the same reasons as mentioned above, guarantee the availability of any particular product. Therefore, LINAK reserves the right to discontinue the sale of any product displayed on its website or listed in its catalogues or other written material drawn up by LINAK. All sales are subject to the Standard Terms of Sale and Delivery for LINAK. For a copy hereof, please contact LINAK.